

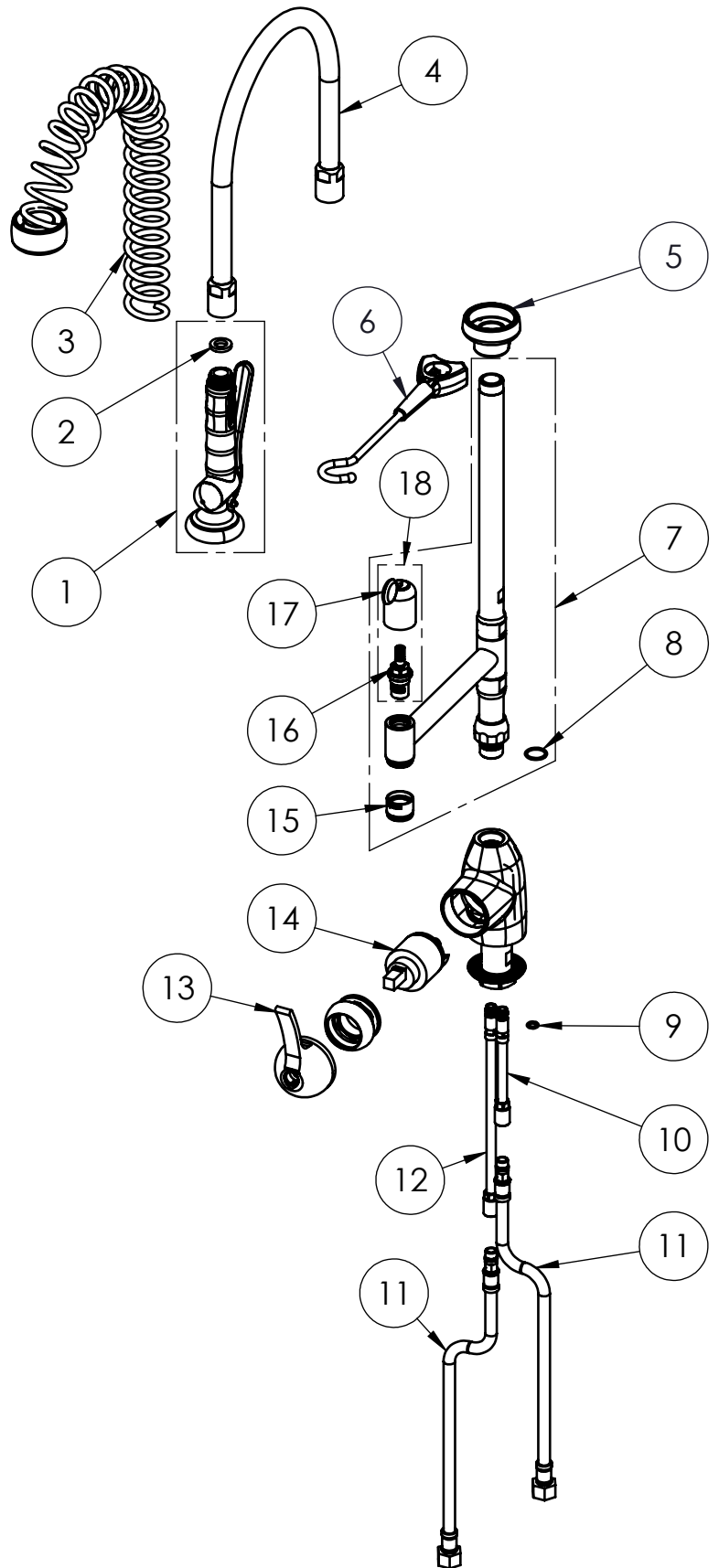
TITLE / DESCRIZIONE
60 cm-tall SHRINK Single hole, mixing temperature, deck mount Pre-Rinse Unit with riser add-on faucet with 170mm swivel nozzle. 50mm-long mounting shank, G3/8" female inlets with check valves, ceramic cartridge, riser tube - stainless steel, brass, chrome plated, gray colors details. 14L/min KLARCO "BEST HOME" spray valve.

This drawing contains proprietary information which is the property of KLARCO S.R.L. without whose written permission it may not be copied, shown or handed to a third party or otherwise used

Questo disegno contiene informazioni di proprietà di KLARCO S.R.L. e senza la sua autorizzazione scritta non può essere copiato, mostrato o ceduto a terzi o in qualsiasi altro modo usato

DRN / DIS	CHD / VER	APPR
SCALE / SCALA 1:7	DATE / DATA 25/03/2020	SHEET / PAG 1 of 2
NUMBER / CODICE DIS.	MODEL / PRODOTTO 360G.R040	A4V

ITEM NO.	SALES NO.	DESCRIPTION
1	P516/"color"	SPRAY VALVE "HOME" (specify the color)
2	P610	GASKET 1/2" Ø18,5x11 sp.3mm, FASIT OMNIA
3	P622/"color"	OVERHEAD SPRING SH60-70 (specify the color)
4	F153	Flexinox 60cm Ø14 (Øint.8) F1/2" F1/2"
5	P261	SPRING SUPPORT GRAY
6	P599/"color"	SPRAY VALVE HOOK (specify the color)
7	P606/D1/DT	KL60 RISER W.ADD ON TAP L.170 AND O-RING
8	P076	O-RING 2062 (Ø15.6x1.78), EPDM 70 PEROX
9	P158	O-RING 106 (Ø6.75x1.78), EPDM 70
10	P615	EXTENSION COPPER PIPE L.115mm w.O-RING
11	F181	L.35cm Flex S.S. Hose Ø10-DN6X Female G3/8" W.Backflow Preventer (C)
12	P617	EXTENSION COPPER PIPE L.210mm w.O-RING
13	H047	"PISA" CHROME PLATED LEVER
14	V0P0	CARTRIDGE Ø40mm W.DISTR. (MOD.PISA)
15	P626	5l/min STREAM REGULATOR OUTLET (Ø20 SPOUT)
16	V0D0	3/8" CERAMIC HEADWORK (RH)
17	HTC/R	"TOP" HANDLE W.RED CODED INDEX
18	V0DT/R	COMPLETE HANDLE W.RED CODED INDEX + CERAMIC HEADWORK KIT



TITLE / DESCRIZIONE
60 cm-tall SHRINK Single hole, mixing temperature, deck mount Pre-Rinse Unit with riser add-on faucet with 170mm swivel nozzle. 50mm-long mounting shank, G3/8" female inlets with check valves, ceramic cartridge, riser tube - stainless steel, brass, chrome plated, gray colors details. 14L/min KLARCO "BEST HOME" spray valve.

This drawing contains proprietary information which is the property of KLARCO S.R.L. without whose written permission it may not be copied, shown or handed to a third party or otherwise used

Questo disegno contiene informazioni di proprietà di KLARCO S.R.L. e senza la sua autorizzazione scritta non può essere copiato, mostrato o ceduto a terzi o in qualsiasi altro modo usato

DRN / DIS	CHD / VER	APPR
SCALE / SCALA 1:6	DATE / DATA 25/03/2020	SHEET / PAG 2 of 2
NUMBER / CODICE DIS.	MODEL / PRODOTTO 360G.R040	