

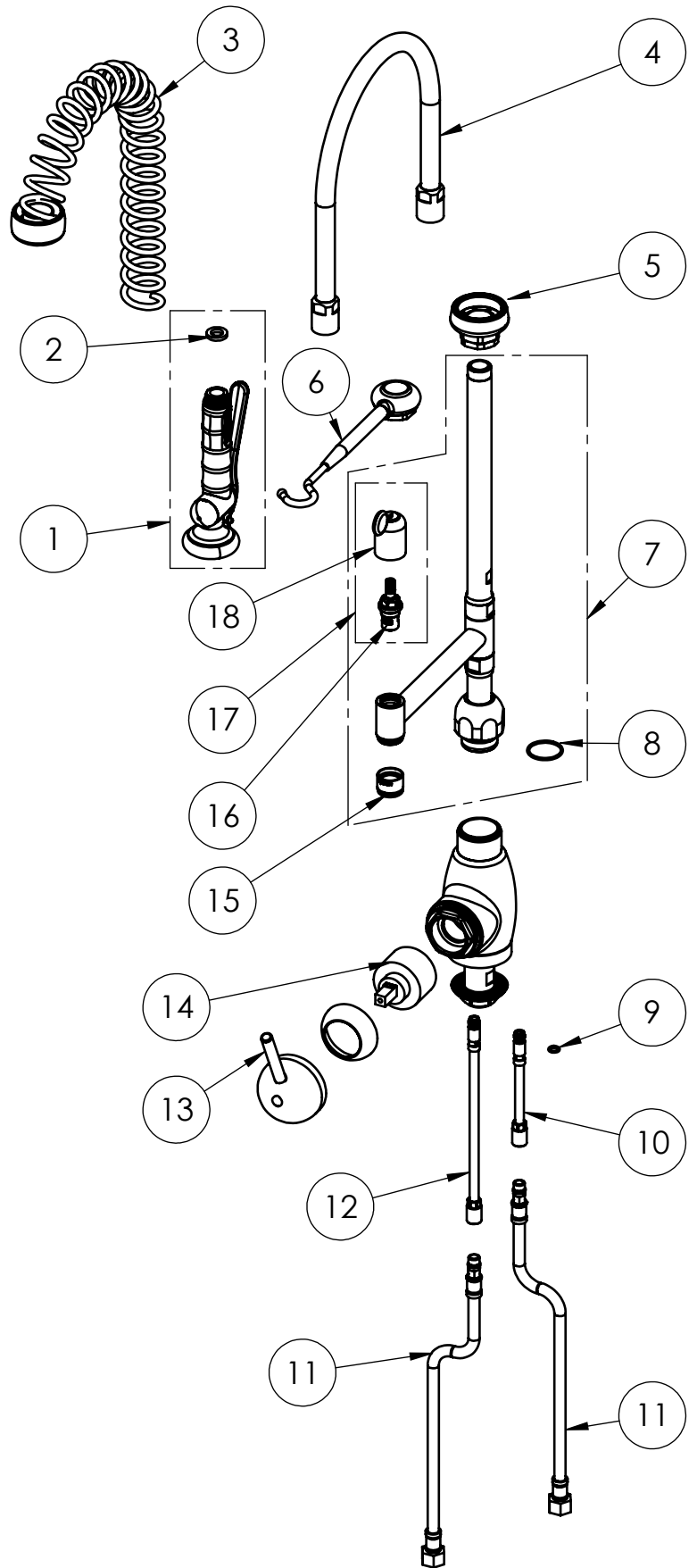
-Nominal Flow Rate: 5l/min (spout); 14 l/min (spray valve).  
-Rough-In Requirement:  
29mm Mounting Hole

<b>TITLE / DESCRIZIONE</b> 60 cm-tall SHRINK Single hole, mixing temperature, deck mount Pre-Rinse Unit with short Lever with riser add-on faucet with 170mm swivel nozzle. 50mm-long mounting shank, G3/8" female inlets with check valves, ceramic cartridge, riser tube and spring - stainless steel, brass, chrome plated, various colors and chrome plated details. 14L/min KLARCO "BEST" spray valve.	DRN / DIS	CHD / VER	APPR
	SCALE / SCALA 1:7	DATE / DATA 25/03/2020	SHEET / PAG 1 of 2
	NUMBER / CODICE DIS.	MODEL / PRODOTTO <b>360CN.R010</b>	

This drawing contains proprietary information which is the property of KLARCO S.R.L. without whose written permission it may not be copied, shown or handed to a third party or otherwise used

Questo disegno contiene informazioni di proprietà di KLARCO S.R.L. e senza la sua autorizzazione scritta non può essere copiato, mostrato o ceduto a terzi o in qualsiasi altro modo usato

ITEM NO.	SALES NO.	DESCRIPTION
1	P516/"color"	SPRAY VALVE "HOME" (specify the color)
2	P610	GASKET 1/2" Ø18,5x11 sp.3mm, FASIT OMNIA
3	P635/"color"	OVERHEAD SPRING SH60-70 INOX (specify the color)
4	F153	Flexinox 60cm Ø14 (Øint.8) F1/2" F1/2"
5	P007	SPRING CHROMED SUPPORT
6	P580	SPRAY VALVE HOOK CHROMED PLATED
7	P641/D1/DT	KL60 RISER W.ADD ON TAP L.170 AND O-RING
8	P391	O-RING 28x2 EPDM70
9	P158	O-RING 106 (Ø6.75x1.78), EPDM 70
10	P615	EXTENSION COPPER PIPE L.115mm w.O-RING
11	F181	L.35cm Flex S.S. Hose Ø10-DN6X Female G3/8" W.Backflow Preventer (C)
12	P617	EXTENSION COPPER PIPE L.210mm w.O-RING
13	H073	LCL SHORT LEVER
14	V070	Ø47 MIXING CARTRIDGE
15	P626	5l/min STREAM REGULATOR OUTLET (Ø20 SPOUT)
16	V0D0	3/8" CERAMIC HEADWORK (RH)
17	V0DT/R	COMPLETE HANDLE W.RED CODED INDEX + CERAMIC HEADWORK KIT
18	HTC/R	"TOP" HANDLE W.RED CODED INDEX



TITLE / DESCRIZIONE  
60 cm-tall SHRINK Single hole, mixing temperature, deck mount Pre-Rinse Unit with short Lever with riser add-on faucet with 170mm swivel nozzle. 50mm-long mounting shank, G3/8" female inlets with check valves, ceramic cartridge, riser tube and spring - stainless steel, brass, chrome plated, various colors and chrome plated details. 14L/min KLARCO "BEST" spray valve.

This drawing contains proprietary information which is the property of KLARCO S.R.L. without whose written permission it may not be copied, shown or handed to a third party or otherwise used

Questo disegno contiene informazioni di proprietà di KLARCO S.R.L. e senza la sua autorizzazione scritta non può essere copiato, mostrato o ceduto a terzi o in qualsiasi altro modo usato

DRN / DIS

CHD / VER

APPR

SCALE /  
SCALA 1:6

DATE /  
DATA 25/03/2020

SHEET /  
PAG 2 of 2

NUMBER / CODICE DIS.

MODEL / PRODOTTO

360CN.R010

A4V